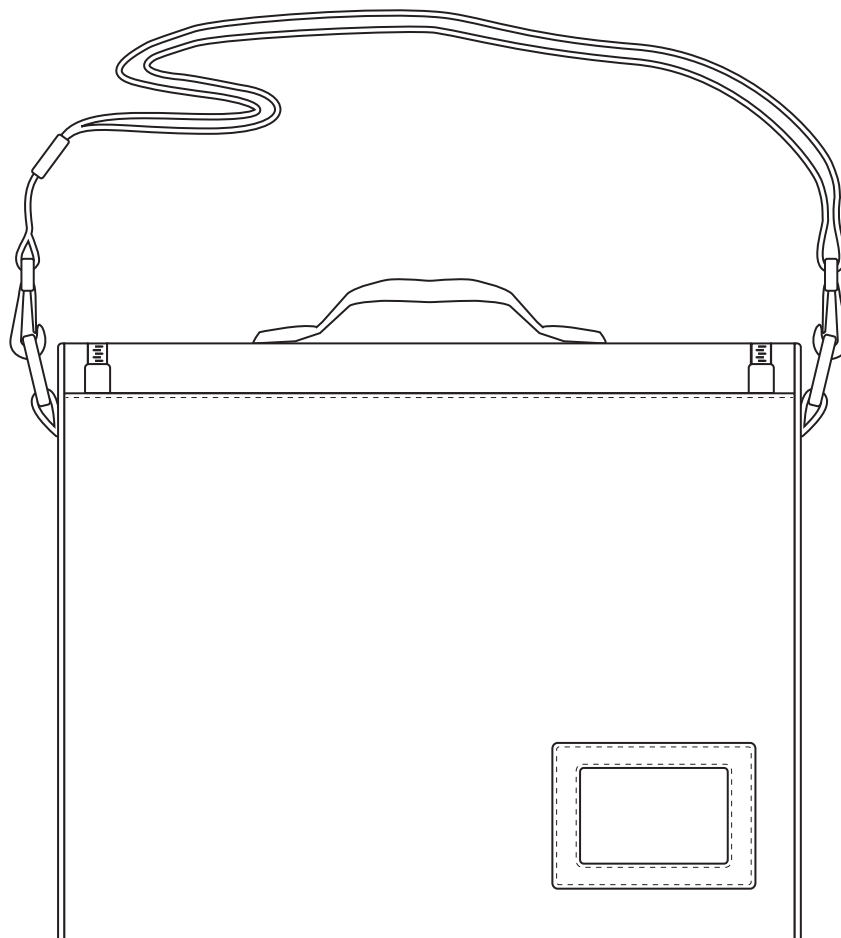
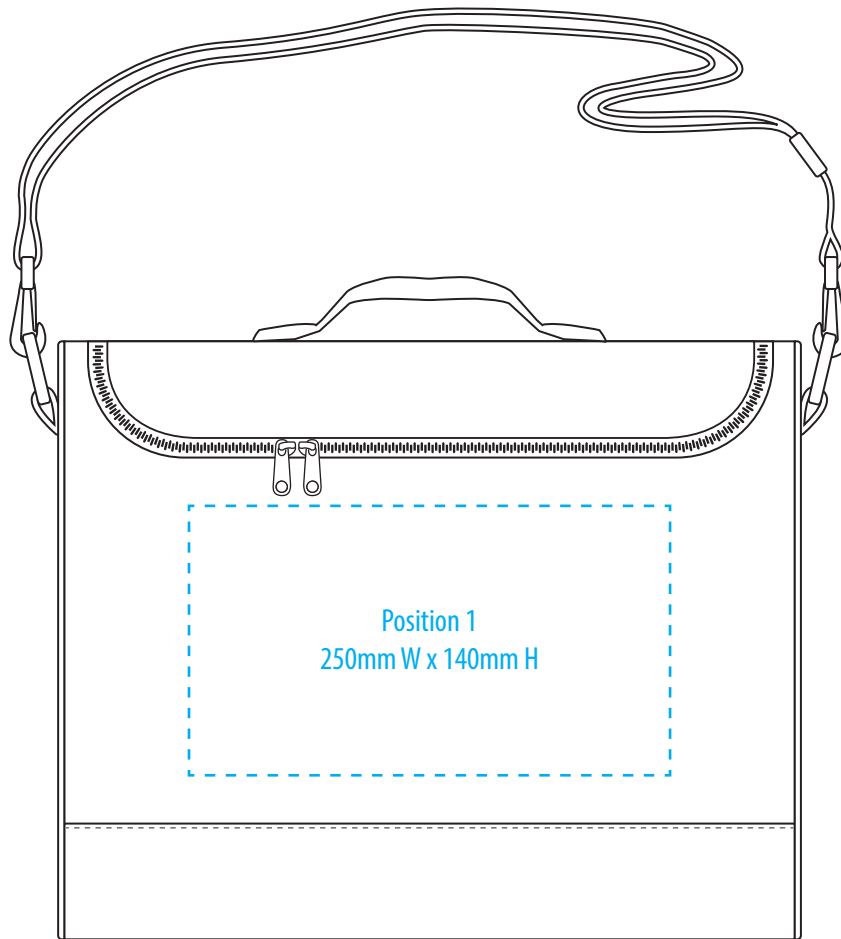
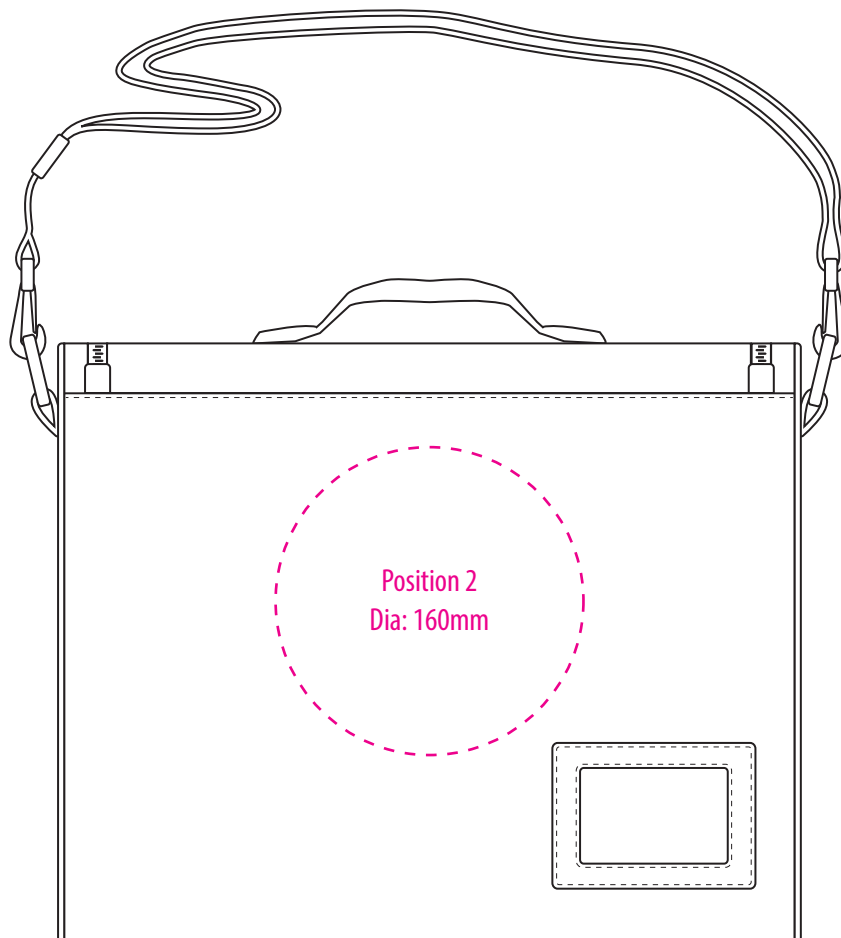
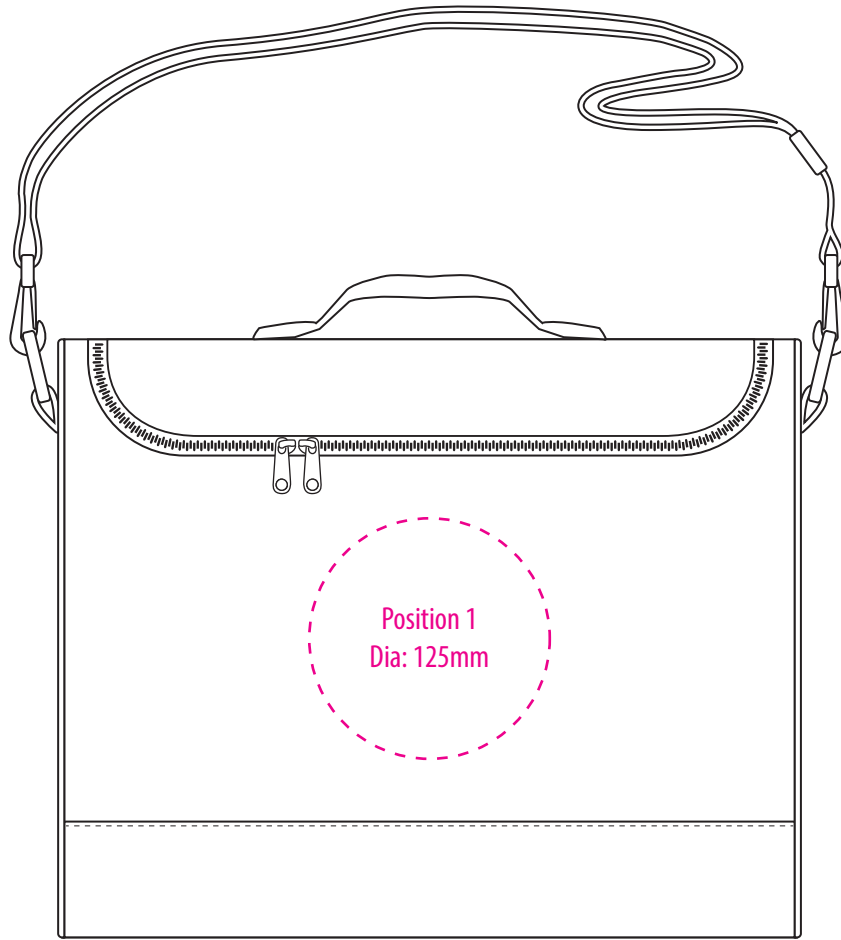


B246



----- Print / Transfer

B246



----- Embroidery

B246

